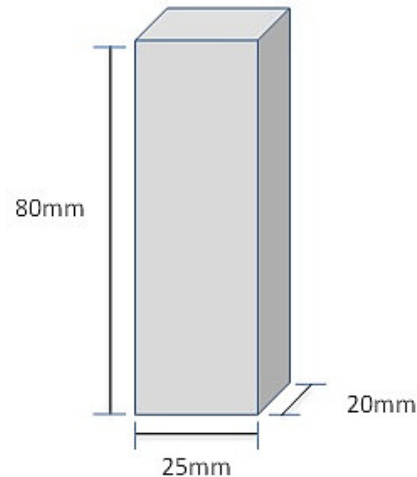


## Specifications

Product:	Water Battery
Model no. :	SL-H20S6PT
Nominal Voltage:	3V $\pm$ 0.5V
Nominal Current:	15mA
Internal Impedance:	$\leq$ 0.5 $\Omega$
Operating Temperature:	-10°C to 45°C
Typical Weight:	55g
Typical dimension:	(H)80mm (W)25mm (T)20mm
Packing Material:	Sleeve plastic
Shelf life:	10 years at 25°C, $\leq$ 70%RH

## Dimensions



## Features

The water battery is a kind of “Self-generated” power supply.

- Easy activate by adding some water or any neutral liquids
- Power supply within 30 seconds after adsorption
- Operating for 2-15 days continuously depends on loading consumption
- Recharge the battery by adding water again
- The battery drain until the material inside is used up
- The voltage and current can be varied in series or parallel connections
- Storage life up to 5 -10 years in normal condition

## Safety Characteristics

No strong acid or alkaline liquid to be added, it will cause the battery not function properly or short-circuit. It shall be no fire, smoke or explosion.

The battery will normally swell and warm during loading. It shall be no fire, smoke or explosion.

When the battery is undergoing electrochemical reaction, some residue substance will be formed which is non-toxic and no harm to the environment. It shall be no fire, smoke or explosion.

Please keep away from children or pets to avoid eating.

## Electrical Characteristics

The water battery supplies constant voltage 3V  $\pm$ 0.5V after adding water or any neutral liquid. The power may drop in 1-3 days depends on the environmental condition. It could be recharged by re-filling water and repeat about 4-8 times until the material inside the battery is used up.

## Storage Condition

### Recommended Storage Temperature and Humidity

Store the battery at temperature range 0°C~+35°C, relative humidity less than 70% and no corrosive gas atmosphere. Keep far away from humid condition, fire or heat.

### Long Period Storage

In case of long period storage (more than 1 year), store the battery in a cool, dry, well ventilated area. Elevated humidity can result in shortened battery life.

When storing the battery over one year, the estimated decline rate of current is about 5-7% per annual while the voltage will remain the same.