

## Specifications

Product:	Water-Power Pack
Model no. :	AL-F15D1PS
Nominal Voltage:	1.35V
Nominal Current:	(Min.) 132mA (Max.) 300mA
Internal Impedance:	$\leq 0.5\Omega$
Operating Temperature:	-10°C to 45°C
Typical Weight:	21.5g
Typical dimension:	(H)75mm (W)60mm (T)10mm
Packing Material:	Aluminum Foil Bag
Shelf life:	10 years at 25°C, $\leq 70\%RH$

## Features

The Water-Power pack is a “Self-generated” power supply.

- Easy activate by adding some water or any neutral liquids
- Provide constant voltage in 10 seconds
- Operating for 2-15 days continuously depends on loading consumption
- The power suspend until the material inside is used up
- The voltage and current can be varied in series or parallel connections
- Storage life up to 5 -10 years in normal condition

## Safety Characteristics

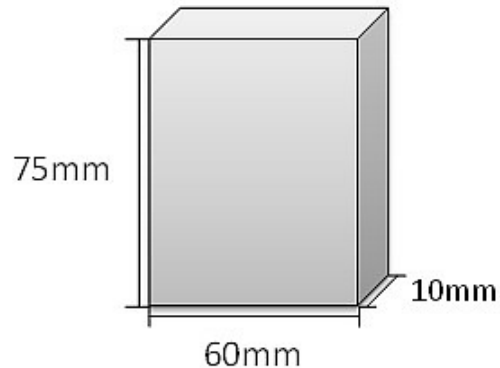
No strong acid or alkaline liquid to be added, it will cause the battery not function properly or short-circuit. It shall be no fire, smoke or explosion.

The battery will normally swell and warm during loading. It shall be no fire, smoke or explosion.

When the battery is undergoing electrochemical reaction, some residue substance will be formed which is non-toxic and no harm to the environment. It shall be no fire, smoke or explosion.

Please keep away from children or pets to avoid eating.

## Dimensions



## Electrical Characteristics

The Water-Power pack supplies constant voltage 1.35V after adding water or any neutral liquid. The power may drop in 1-2 days depends on the environmental condition. It could be recharged by re-filling water and repeat about 2-4 times until the material inside the battery is used up.

## Storage Condition

### Recommended Storage Temperature and Humidity

Store the battery at temperature range 0°C~+35°C, relative humidity less than 70% and no corrosive gas atmosphere. Keep far away from humid condition, fire or heat.

### Long Period Storage

In case of long period storage (more than 1 year), store the battery in a cool, dry, well ventilated area. Elevated humidity can result in shortened battery life.

When storing the battery over one year, the estimated decline rate of current is about 5-7% per annual while the voltage will remain the same.